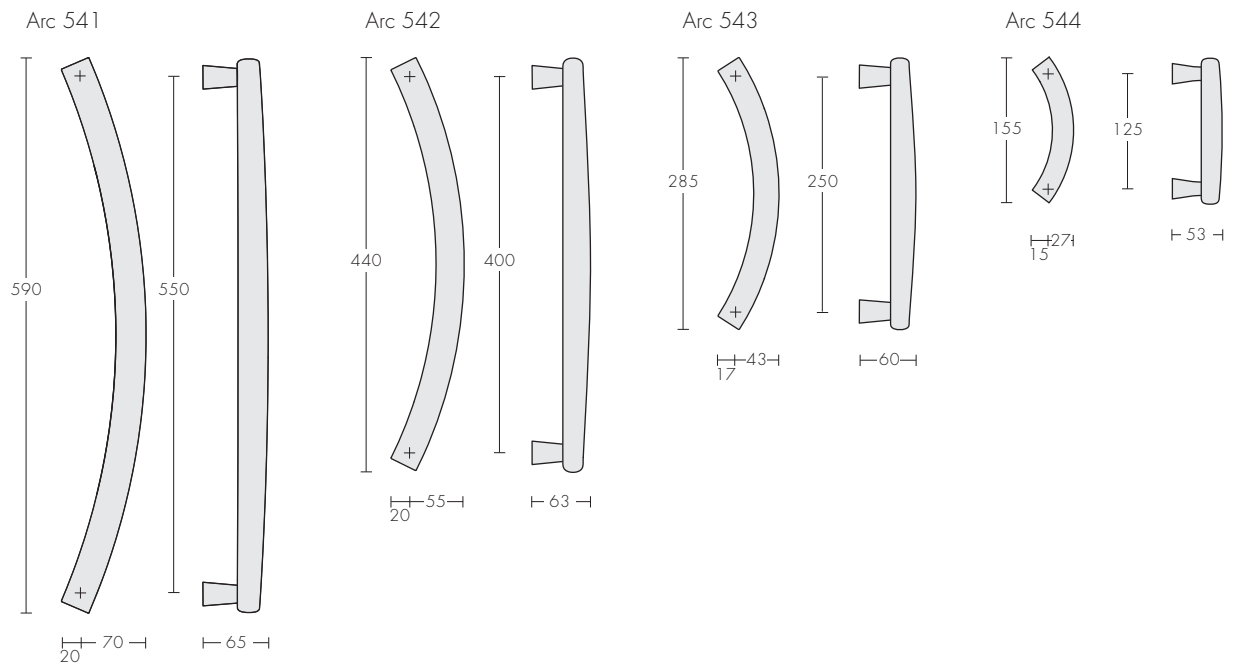
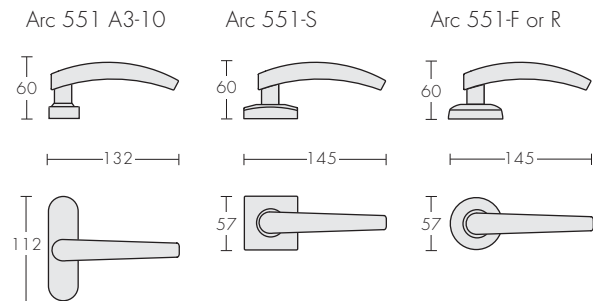


Arc Pull Handles



Arc Lever Handle



Arc Pull Handles are symmetrical and 'non handed'. They are suitable for narrow stile and standard doors.

Arc Lever Handle is not handed and is reversible on roses and 44mm wide plates.

See Technical Section for back plate designs and options.



Arc 551 on F rose



Arc 551 on B3-251 plate



Arc 541



Arc 544