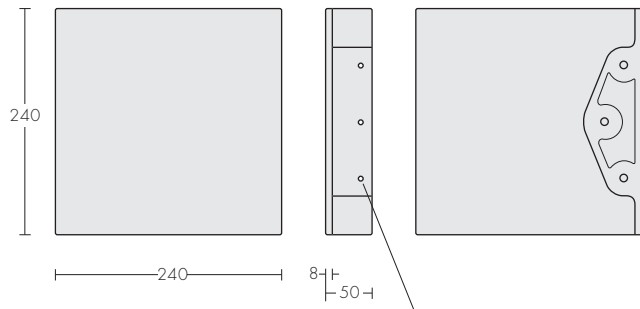


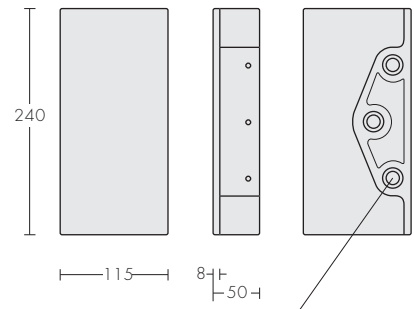
Pad Handles

Pad 5221



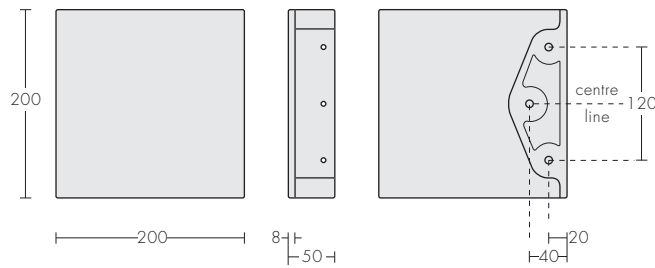
Socket set screws hold the 'inside' handle onto the mounting collars which fix the outside handle to the door.

Pad 5222

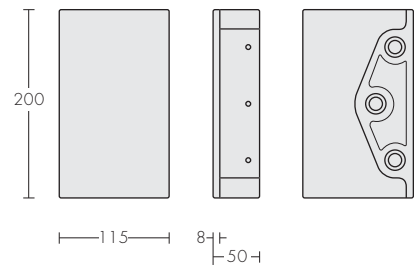


Holes on the back of the 'inside' handle to fit onto the mounting collars.

Pad 5223



Pad 5224



Pad Handles

Pad handles are made in brass or bronze and are available in all Electroplated and "Living" Finishes. Suitable for wood, aluminium and glass doors. Back to back fixing screws are M6.

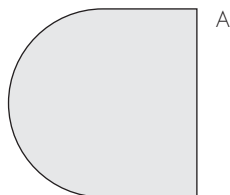
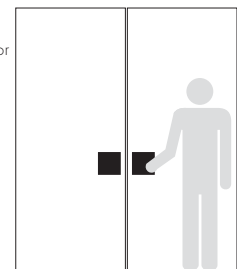
Refer to Technical Section - Pull Handle Mounting Options

Adjacent pairs of pad handles are reversible when rolled from left to right, except when engraved.

Engraving - Pad handles can be precision engraved with numbers, words or company logos.

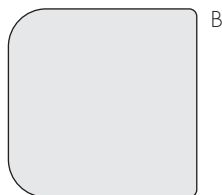
Custom shapes and detailing can be provided, some examples are shown below. Please contact Chant to discuss your requirements.

Example:
Pad 5221 on a
2400mm high door

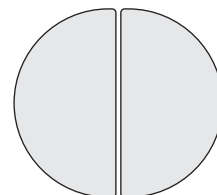


A

Radius



B



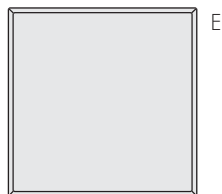
C

Round

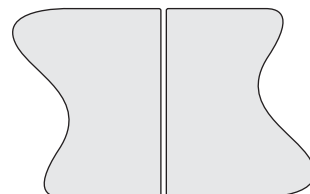


D

Chamfer



E



F

Abstract



Pad 5222



Pad 5222 engraved



Pad 5221