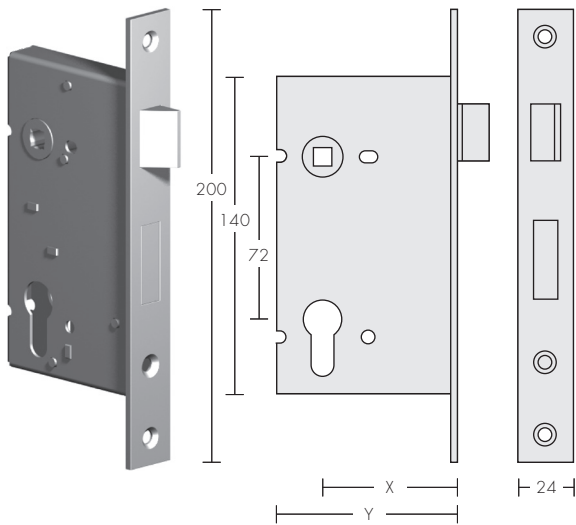


Mortise Locks  
1000, 1000-1, 1001, 1002, 1003, 1004



## Mortise Locks

This series of mortise locks have been designed for standard, narrow stile and rebated doors in a range of backsets. They also feature a 'minimal' lever handle rotation of 40°.

The 72mm spindle to cylinder barrel centreline allows for a practical separation of lever handle rose and turn escutcheon without the appearance of crowding the components. It also allows for the same length back plate to be used throughout a project for entrance doors, narrow stile doors, internal doors and doors with a privacy function. These locks have a single turn, 15mm throw bolt.

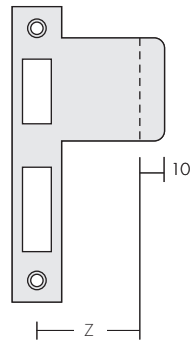
All locks have 8mm spindle hubs and are reversible. When ordered they are handed to suit the handing requested with the strike.

**When these locks are to be used with unsprung lever handles, specify 'HD' after the lock code number.**

Lock Strikes for Standard Doors  
1005a 1005b



Extended Lock Strike  
1006a/b



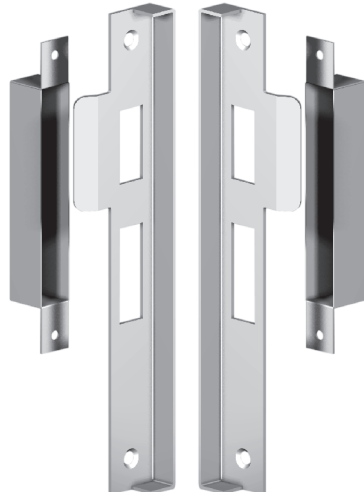
Mortise Lock Dimensions

Model:	Backset: X	Case depth: Y	Horizontal fixing centres:
1000	35	50	Plate furniture only
1000-1	40	55	Plate furniture only
1001	45	65	38 – 41mm
1002	60	80	38 – 41mm
1003	70	90	38 – 41mm
1004	90	110	38 – 41mm

Lock Strike Packer  
1007a/b



Lock Strikes for Rebated Doors  
1008a 1008b



### Lock Strikes for Standard Doors 1005a/b

These strikes are handed to avoid compromising the design and installation aesthetics of universal, long lip strikes.

- Full length strike box
- Standard strikes measure 20mm from the lock centreline to the bend of the lip

### Extended Lock Strikes 1006a/b

- Extended 50mm from standard. These strikes can be cut back to suit the door frame. Specify the length required from the lock centreline to the edge of the door frame (Z). The bent lip, 10mm wide, is additional to the width specified

### Strike Packer 1007a – 10mm/1007b – 8.5mm

For aluminium door frames

- Aluminium 10mm or 8.5mm thick x 24mm wide
- Natural anodised finish

### Lock Strikes for Rebated Doors 1008a/b

- Lock packer included with these strikes
- Standard strikes measure 20mm from the lock centreline to the bend of the lip

### Extended Lock Strikes for Rebated Doors 1009a/b

- Extended 50mm from standard. These strikes can be cut back to suit the door thickness. Specify the length required from the lock centreline to the edge of the door (Z). The bent lip, 10mm wide, is additional to the width specified. Refer to the drawing of the 1006a/b strike above.

Handing of strikes – refer to the following page.