

Casement Fastener 4101

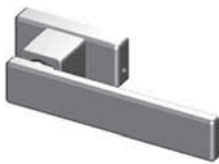
Closed



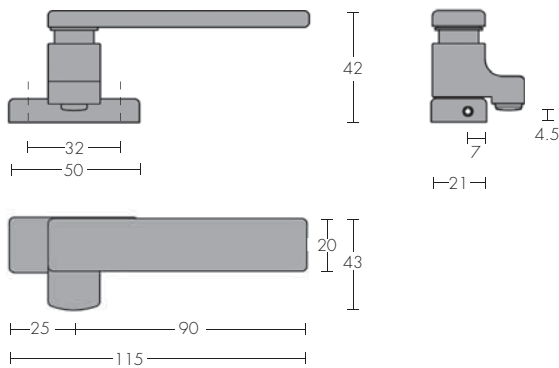
Open



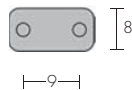
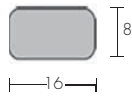
Closed



Open



Flush Strike 4102



180 Degree Casement Fastener

This Casement Fastener is designed in the "Line" style with a unique, 180 degree operation, for wood and aluminium windows. It is available in three variations;

- Wedgeless
- Flush Strike

When the window is shut, the handle is parallel to the bottom or side rail of the sash. To unlock, the handle is rotated through 90 degrees to relax the clamp from the transom or bottom of the frame, or strike, then rotating the handle and carrying the clamp with it to the 180 degree position. The handle is parallel again to the bottom or side rail of the sash.

This provides a "clear" view through the window, whether the window is closed or open.

The Casement Fastener is semi concealed fixed onto two mounting collars at standard 32mm fixing centres, and can be used in the two following configurations.

Wedgeless (no strike)

There is an 4.5mm offset from the base of the Casement Fastener to the clamping face, which suits many aluminium window designs, where the sash closes against a seal on the lip of the outer frame. This version does not use a strike.

Flush Strike

Same Casement Fastener as above, but combines with a flush strike. The base of the Casement Fastener on the sash, is flush or in line with the surface of the outer frame, adjacent transom or mullion. Specify in addition to the Casement Fastener.

The strike is adhesive fixed with two locating pins at 9mm fixing centres.

Handing of Casement Fasteners

The Casement Fasteners shown are all Left Hand (LH). Specify (LH) or (RH).

LH Rotates anticlockwise to open.

RH Rotates clockwise to open.

To order specify: (example)

Code Number	Handing	finish
4101	LH	SCPV