

Comma 3901



Comma 3902



Sabre 3911



Sabre 3912



Cobra 3921



Cobra 3922



Delta 3931



Delta 3932



Swan 3941



Swan 3942



Line 3951

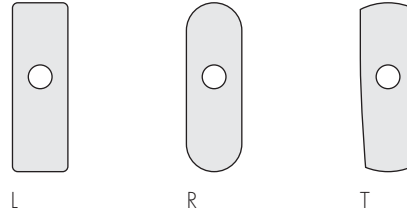


Line 3952



Casement Fasteners

Designed for wood and aluminium windows. The lever style options complement various ranges of lever handles. Base plate styles are rectangular based on the Line range (L), round ended on the Stretch, Motor and Axis ranges (R) or a Tapered (T) design.



The Casement Fasteners have a semi-concealed fixing for both the lever and the strike.

The Mortise Strike, at right angles to the Fastener; has a nylon insert to avoid metal to metal contact with the locking pin.

The Wedge Strike is either flush to the base of the casement or offset 8mm. The pin length is standard 32mm, providing fixing centres of 27mm. Overlength pin is 40mm, providing fixing centres of 35mm. Other sizes can be made to order.

Handing of Casement Fasteners

The Casement Fasteners shown are all Left Hand (LH). Specify Left Hand (LH) or Right hand (RH).

Casement Fasteners and Code Numbers

	With Mortise Strike	With Wedge Strike (flush)	With Wedge Strike (8mm offset)
Comma	3901	3902	3903
Sabre	3911	3912	3913
Cobra	3921	3922	3923
Delta	3931	3932	3933
Swan	3941	3942	3943
Line	3951	3952	3953
Angle	3961	3962	3963
Rod	3971	3972	3973
Curve	3981	3982	3983
Stretch	3991	3992	3993
Tri	4001	4002	4003

To order specify; (example)

Code number	Base Plate Style ★	Pin Length	Handing	Finish
3901	T	32mm	LH	SCPV

Angle 3961



Angle 3962



Rod 3971



Rod 3972



Curve 3981



Curve 3982



Stretch 3991



Stretch 3992



Tri 4001



Tri 4002

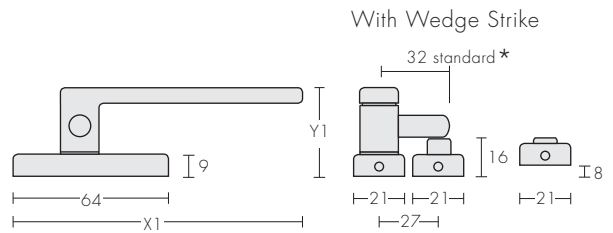


Mortise Strike 3995

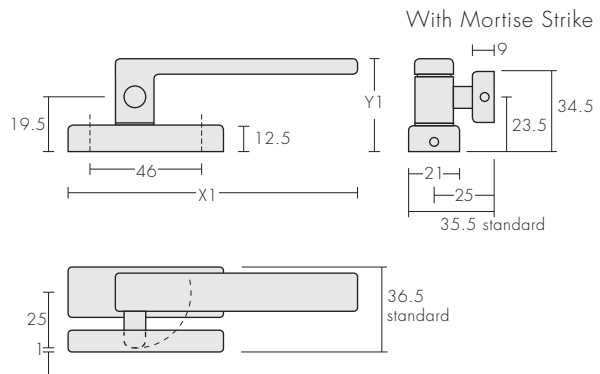
This Mortise Strike is for inward opening windows. It is flush mounted, visible fixed and has a nylon insert to avoid metal to metal contact with the locking pin.

Dimensions

Line 3952 example shown



*Note: Extended pins can be provided for the fasteners. Specify the distance from the pivot centreline to the end of the pin.



Dimensions overall (mm)

	casement length	fastener height
	X1	Y1
Comma	125	47
Sabre	125	47
Cobra	120	47
Delta	120	38
Swan	120	47
Line	120	38
Angle	120	38
Rod	120	38
Curve	120	40
Stretch	120	38
Tri	120	38

Installation Drill Jig 4089

This drill jig is an aid to accurately drill the mounting holes for the Casement Fastener and Mortise Strike. The jig is positioned at the vertical height of the casement fastener base, fastened to the sash, then acts as a guide for drilling pilot holes for the fixing screws into the sash and frame, when the sash is in its closed position.

