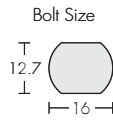


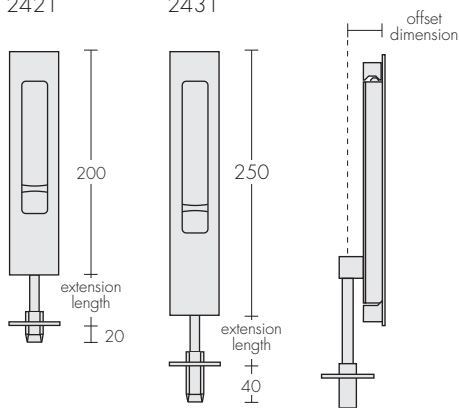
Flush Pull Bolt
2421



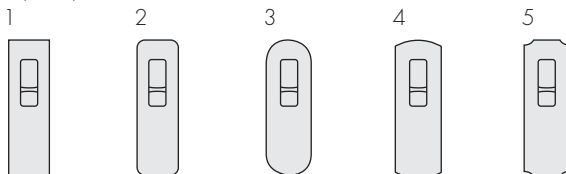
Flush Pull Bolt
2431



Flush Pull Bolt – 12.7mm x 16mm Bolt
Extended as required
2421 2431



Style Options: Extended Bolts



Flush Pull Bolts

Designed for use on wood or aluminium sliding doors as a combination Flush Bolt and Flush Pull where the combined function minimises components on the door. The concealed fixing is the same as standard Flush Sliding Bolts.

Allowance needs to be made for the offsets when the bolts are flush fitted to the surface of the doors, plus 2mm.

Flush Pull Bolt

– Code Numbers for 20mm Throw Bolts

Style Option and Code Number
1 2 3 4 5

Conceal-fixed, Extended

50 x 200 Non Locking 2421 2422 2423 2424 2425

Flush Pull Bolt

– Code Numbers for 40mm Throw Bolts

Style Option and Code Number
1 2 3 4 5

Conceal-fixed, Extended

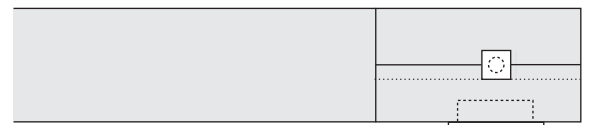
50 x 250 Non Locking 2431 2432 2433 2434 2435

To order specify: (example)

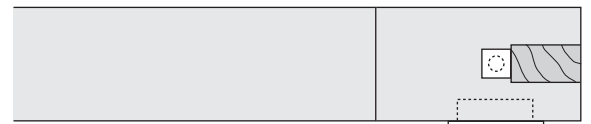
Code Number	Offset Dimension	Extension Length	Strike Type	Finish
2431	18mm	1000mm	2190	SCPV

When these bolts are fitted to a wood door, it must be custom built, as the stile requires a trench, vertically positioned to allow the bolt to operate. The position of the trench will depend on the operation of the door, opening or sliding and the construction of the door, particularly in relation to tennon joints in the corners. On a sliding door, consideration will need to be made in relation to the track, bolt position, and space for the strike.

Option A: Split stile, trenched before the two sections are glued together. Alternative join line shown as dotted line.



Option B: Trenched from the edge and back-filled with an insert.



Option C: Trenched from the front face and back filled with an insert.

