

Flush Sliding Bolts

Flush Sliding Bolts

This range of Flush Sliding Bolts is designed for use on conventional doors, bifold, sliding and aluminium stile doors. The design of the body has a 2mm thick face flange for minimal projection off the door surface. They can be fitted fully flush with careful recess preparation into wood doors if required.

The standard Flush Sliding Bolts are fitted flush to the door edge on wood and aluminium doors. Mounting blocks are fitted into the recess on wood doors to fasten the flush bolt to, and a machined opening in aluminium stiles will accept the Flush Bolt. Fastening is by socket set screw in the top of the finger recess.

The body sizes are:

- 50mm wide x 200 long - 20mm bolt projection
 - 50mm wide x 220 long - 40mm bolt projection
- The standard Flush Sliding Bolts have a 5mm x 15mm flat bolt.

Recess size in wood doors: 40mm wide x 12.5mm deep with special lengths to suit the different types and lengths of bolts.

Extended Sliding Bolts

The Extended Flush Sliding Bolts are fitted into their appropriate recess, 40mm wide x 12.5mm deep, away from the door edge. The bolt size is 16mm diameter machined with flats to 12.7mm across, with extensions of 100mm, 200mm and 300mm from the door edge. Extension rod is M8.

For wood doors, where extended bolts are required; a drill jig is available from chant™ to accurately drill the extension rod hole into the stile. Particularly useful for 200mm and 300mm versions. Extension lengths are 100mm, 200mm, and 300mm from the door edge.

Special offsets for thick doors and custom applications can be produced to order.

Locking Versions

All bolts are lockable with a Key Insert Lock 2899.

Mounting Options and Offsets

Options A to D cover some alternatives for sliding doors and the position of the bolt. Consideration needs to be made for the:

- thickness of the door
- type of guide track and its width; hence available space for the strike and its function

Example A 10.5mm from the face of the door to the back of the 5mm bolt

Example B 5.5mm from the face of the door to the back of the 5mm bolt and is for sliding doors only

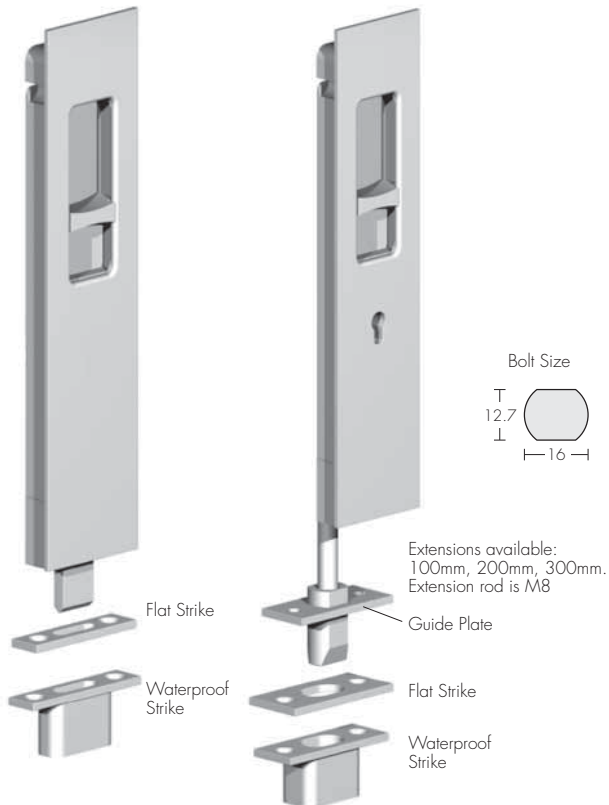
Example C Extended bolt "zero", fitted flush to the edge of the door. Used where the bolt needs to be located into the middle of the door guide track

Example D Extended bolt, away from the edge of the door

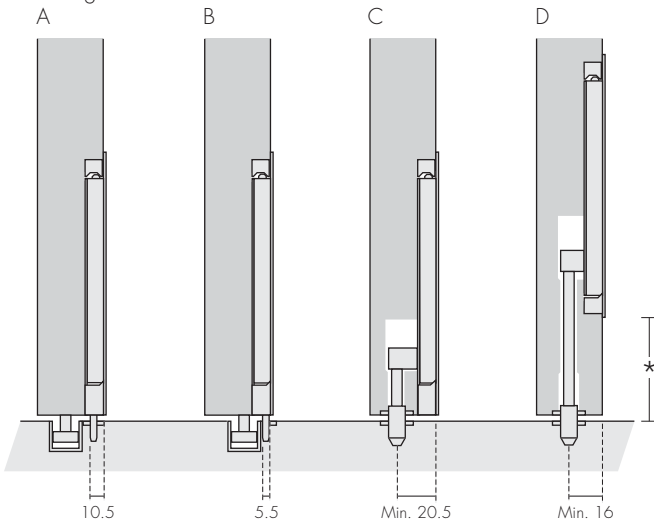
Allowance needs to be made for the offsets when the bolts are flush fitted to the surface of the doors, plus 2mm.

The above options A, C, D can be used on opening doors depending on:

- the relationship between the door and the sill, or head
- suitable mounting of the strike

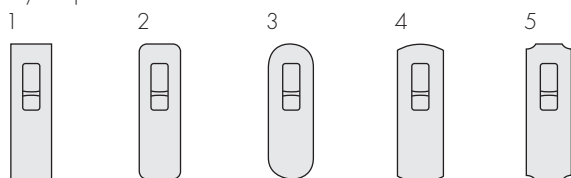


Sliding Bolt Offsets

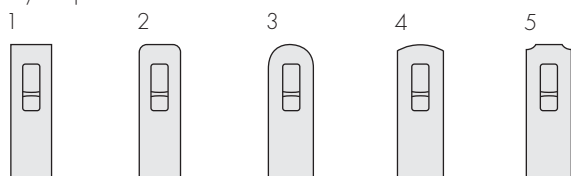


* Extensions available: 100mm, 200mm, 300mm.

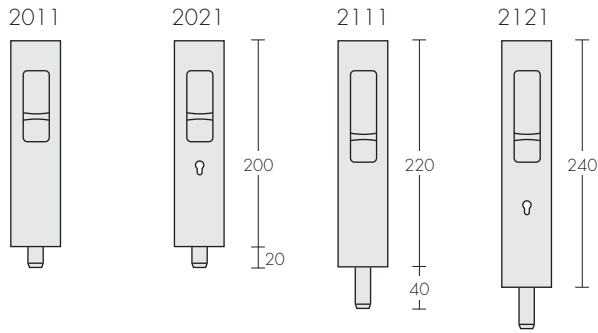
Style Options: Extended Bolts



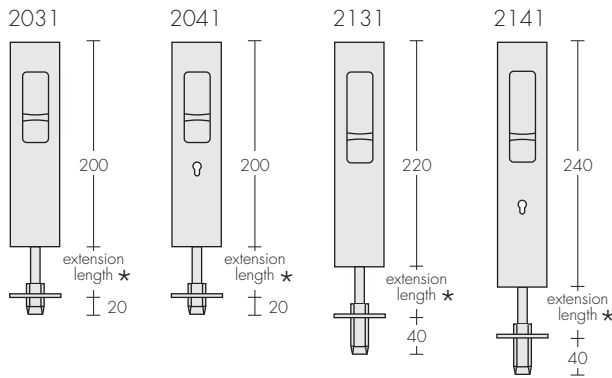
Style Options: Flush with the bottom of the door



Flush Sliding Bolt/Standard, 15 x 5mm flat bolt (2111/2121 are suitable for sliding doors only. Offsets A or B from previous page.)



Flush Sliding Bolt – 12.7mm Bolt Extended 100, 200, 300mm (Offsets C or D from previous page.)



Flush Sliding Bolts

Flush Sliding Bolts – Code Numbers for 20mm Throw Bolts

		Style Option and Code Number				
		1	2	3	4	5
Standard						
50 x 200	Non Locking	2011	2012	2013	2014	2015
50 x 200	Locking	2021	2022	2023	2024	2025
Extended						
50 x 200	Non Locking	2031	2032	2033	2034	2035
50 x 200	Locking	2041	2042	2043	2044	2045

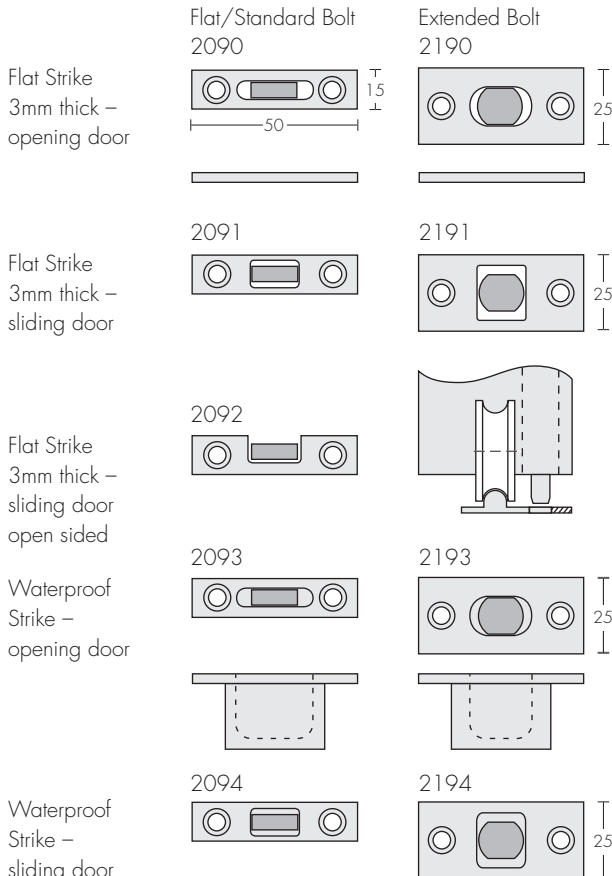
Flush Sliding Bolts – Code Numbers for 40mm Throw Bolts

		Style Option and Code Number				
		1	2	3	4	5
Standard						
50 x 220	Non Locking	2111	2112	2113	2114	2115
50 x 240	Locking	2121	2122	2123	2124	2125
Extended						
50 x 220	Non Locking	2131	2132	2133	2134	2135
50 x 240	Locking	2141	2142	2143	2144	2145

To order specify: (examples)

Code Number	Offset Dimension	Extension Length ★	Wood W Aluminium A	Strike Type	Finish
2011	10.5mm	-	W or A	2090	SCPV
2111	18mm	200mm		2190	PBZ

Strikes:



Strikes:

There are various options available to suit specific site requirements. The strikes are designed with over-length slots for opening doors, and over-width slots for sliding doors. This provides restricted movement of the bolt and door in the correct direction.

All flat strikes are 3mm thick.

Refer to Dust Sockets on the following page as additional options to the strikes detailed here.

To assist with installation, refer to Mortising Machine 6005, Faceplate Routing Jig 6010 and Universal Jig 6043 in the Door Machining Equipment Section in this catalogue or on the website.