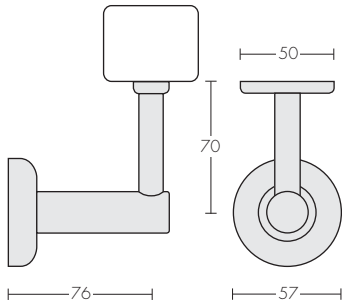


Handrail Support – screw fixed
3801 for flat rail/3802 for round rail



Radiused (R)
Rose shown



Handrail Supports

Handrail Support 3801, 3802, 3811 and 3812 are designed to follow the styling of the roses on our door handle ranges with matching rose covers. Available in Facet (F), Radius (R), Square (S), Cylinder (C) and Motor/Axis (M) styles.

The rose cover clips over the base to provide a concealed fixing. The handrail bracket on the wall mounted version can be rotated on the base to allow best alignment of the four screws that fasten it to the wall studs.

Handrail Support 3821 and 3822 screw onto an M12 x 75mm stud that is screwed into the timber wall for a secure fixing. The 38mm washer provides added protection of the wall surface when the bracket screws onto the stud.

Handrail Support 3831 and 3832 are for through bolt fixing to a glass or wooden wall with an M12 countersunk hex-drive screw. Specify the wall thickness.

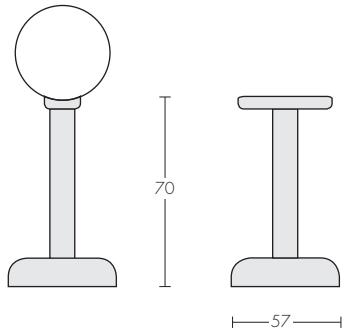
Handrail Support 3841 and 3842 are designed to complement the Line Door Handles and Accessories.

All support brackets are made from brass for the Electroplated and Brass "living" finishes, and bronze for Polished Bronze and Bronze "living" finishes.

To order, specify: (example)

Code Number	Rose Type (where applicable)	Finish
3801	R	SCPV

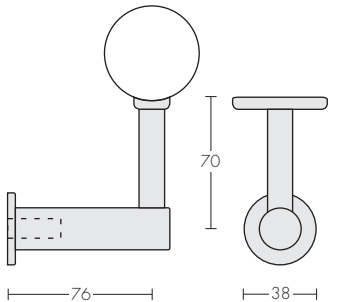
Handrail Support – screw fixed
3811 for flat rail/3812 for round rail



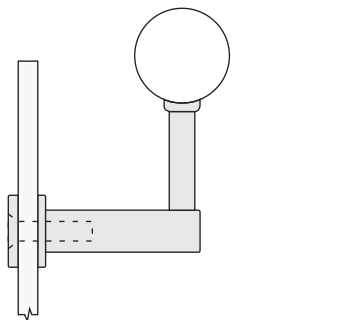
Radiused (R)
Rose shown



Handrail Support – stud mounted
3821 for flat rail/3822 for round rail



Glass panel mounted
3831 for flat rail/3832 for round rail



Line Handrail Support - stud mounted
3841 for flat rail/3842 for round rail

