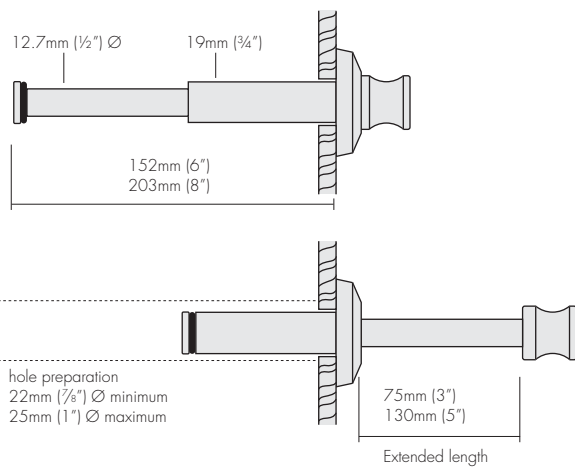




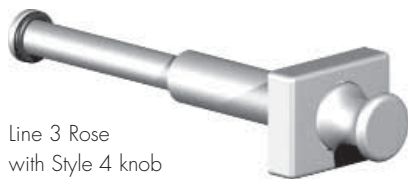
Clothes rod in  
(Facet Rose shown)



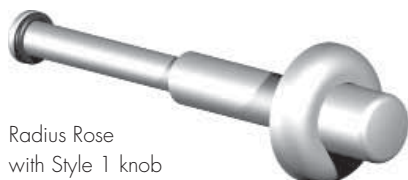
Clothes rod out  
(Facet Rose shown)



All knobs are 25mm (1")  $\varnothing$  x 25mm (1") long and will suit any of our escutcheons.



Line 3 Rose  
with Style 4 knob



Radius Rose  
with Style 1 knob

## Pull Out Clothes Rod

This is generally fitted into the wall adjacent to a wardrobe or closet to hang selected garments on.

Designed to complement the styling of chant™ door handles on roses using the various ranges of matching escutcheons. They are code numbered in a similar sequence, with optional pull knobs.

The 12.7mm (1/2") shaft has a smooth slide action in its guide tube with a rubber ring on the end to cushion the rod when it is pulled out. The conceal fixed mounting base is fastened to the wall with 4, 6g countersunk screws. Mounting in the wall requires a 22-25mm hole (7/8 - 1") diameter hole drilled into the wall surface, to accept the guide and rod. It must be perpendicular to the wall surface, otherwise binding of the rod will occur.

	75mm (3")	130mm (5")
Radius	4400	4401
Facet	4410	4411
Square	4420	4421
Pyramid	4430	4431
Line 1 32 x 50 vertical	4440	4441
Rod/Angle	4450	4451
Line 2 32 x 50 horizontal	4460	4461
Line 3 38 x 50 horizontal	4470	4471
Line 4 32 x 60 horizontal	4480	4481
Line 5 38 x 60 horizontal	4490	4491
Motor/Axis	4500	4501

To specify the knob style required add suffix as follows:  
eg. 4400 - 1

