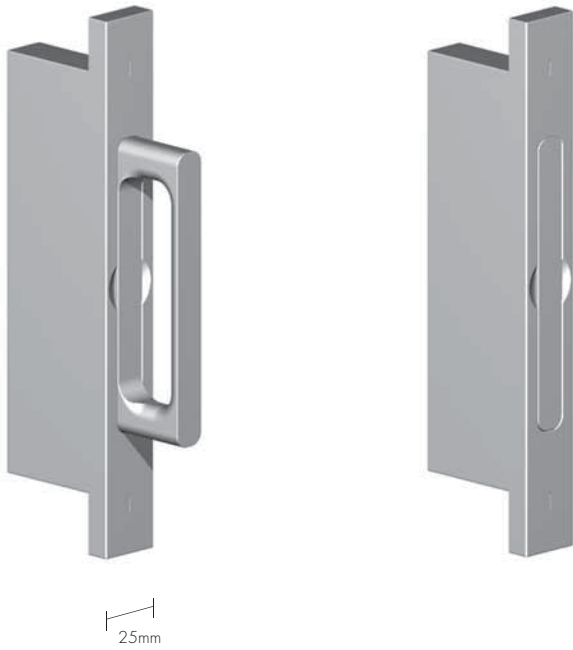


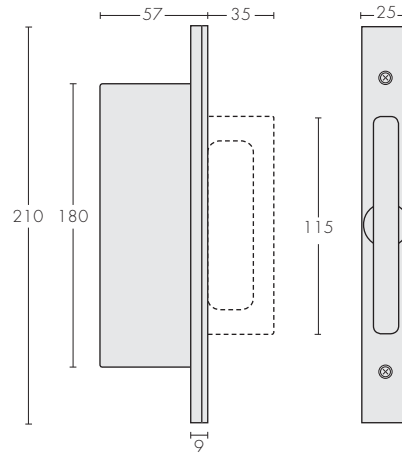
Sliding Door Hand Pull
1510



Sliding Door Hand Pulls

Sliding Door Hand Pull 1510

This is designed to be mortised into the edge of heavy sliding doors when a full hand grip is required. The handle ejects from the flush position with spring pressure, by being pushed in to release the catch mechanism holding it in. To store the handle, push it in to catch when flush.

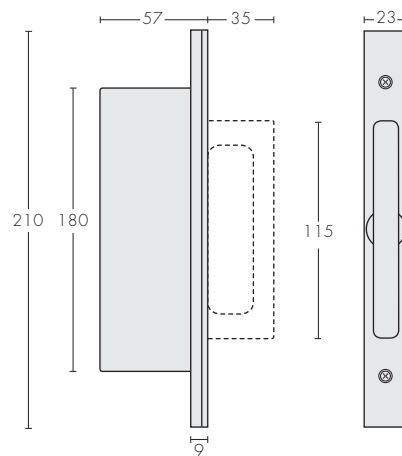


Sliding Door Hand Pull
1511



Sliding Door Hand Pull 1511

To fit into APL aluminium door stile.



To assist with installation, refer to Mortising Machine 6005, Faceplate Routing Jig 6010 and Universal Jig 6043 in the Door Machining Equipment Section in this catalogue or on the website.