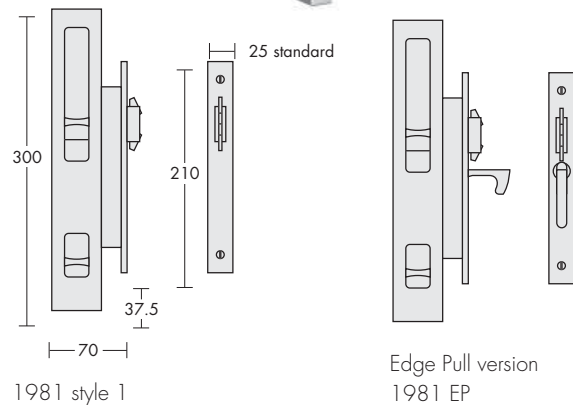
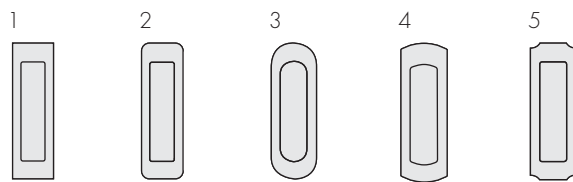


VS Euro Locking Flush Pull 1981, with Strike, 50mm backset



Style Options:



To specify: (example)

Code Number plus Edge Pull	Handing	Wood W Aluminium A	Door Thickness	Finish
1981 plus EP	L or R	W or A *	40mm	SCPV

* If aluminium, specify the face plate width required.

Note: Custom versions will be given a suffix after the code number and will be recorded for future production.

To assist with installation, refer to Mortising Machine 6005, Faceplate Routing Jig 6010 and Universal Jig 6043 in the Door Machining Equipment Section in this catalogue or on the website.

VS Euro Locking Flush Pulls 50mm Backset

Designed to fit on wood sliding doors where the stile width allows the flush pull centreline to be 50mm back from the edge, and aluminium doors that are wide enough to accommodate the lock and the 50mm wide flush pulls within the stile section.

This version has the vertical slide (VS) to operate the lock on the outside flush pull with a 5 pin Euro Profile Cylinder mounted below, flush to the surface of the pull. The rear of the cylinder protrudes into a recess in the flush pull on the inside of the door. The inside flush pull has the vertical slide with a snib below. This lock becomes handed with the cylinder off set in the lock case.

A sliding door edge pull can be incorporated in this lock when the door goes back into a pocket. Add suffix "EP" with handing.

The flush pulls are 50mm wide x 300mm long, and flanges 2mm thick. The minimum door thickness is 38mm. Thickness must be specified when ordering.

Backset to the flush pull centreline is 50mm, including the faceplate which is a two piece design. The packer behind is 6mm thick and the cover which hides all fixing screws is 3mm thick, total 9mm. Standard face plate width is 25mm and lock case depth 70mm.

For wood applications the outside flush pull is fastened into its recess by tie screws into the back of the flush pull body, through mounting blocks on the inside of the door. The inside flush pull is then fastened to the mounting blocks by a socket set screw in the top of the finger recess. This is our "C" Fixing. Door thickness must be specified so the correct length screws can be provided.

For aluminium applications, the outside flush pull hooks into the aluminium at the bottom of the machined opening and is fastened by a clamp on the inside of the stile section at the top. The inside flush pull hooks into the aluminium at the bottom and is fastened by a socket set screw in the top of the finger recess. This is our "D" Fixing.

Because of variations in aluminium door design, it is essential to provide section details of the stile and jamb on first time applications so that customised solutions of standard product can be provided when necessary. Some applications may need narrow faceplates.

The Adjustable Strike 1899 is optional and may be needed in some applications to extend the locking face in the jamb, and be able to minimise end float in the door when it is locked. It measures 124mm x 19mm, and is adjustable from 15mm to 20mm high.

VS Euro Locking Flush Pull Size and Code Numbers - 50mm Backset

Overall Size	Finger Recess	Style Option and Code Number				
		1	2	3	4	5
50 x 300	22 x 135	1981	1982	1983	1984	1985