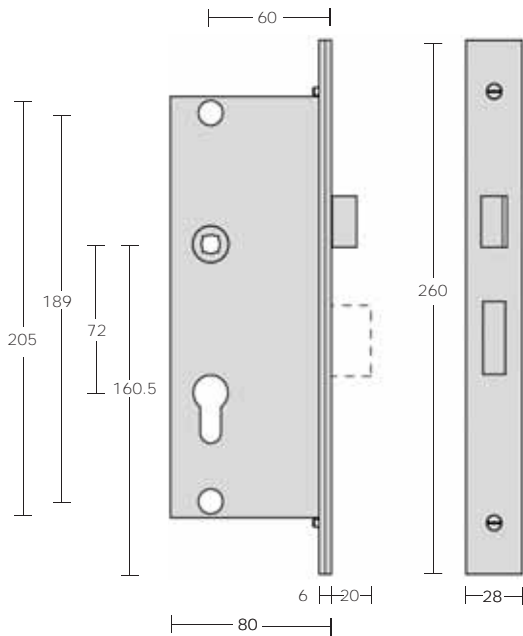


## 1131 CFH Mortise Lock



## CFH Mortise Lock

### (Concealed Fixed Handle)

This lock is designed primarily as an entrance lock to provide a unique concealed fixing arrangement for chant™ lever handles on plates.

#### Features

- Concealed fixing of the lever handle plates on both sides of the door
- Single turn, 20mm throw bolt, the same as in our ES Mortise Lock Series
- Removable faceplate hides the lock fixing, cylinder fixing and the attaching screws for the lever handles.
- Soft lever handle return
- Brass body construction
- Faceplate can be finished to match the door handles. Refer to the Finishes Section

The lever handle back plates that can be used with this lock are from the following groups.

- 32mm wide plates 40 group.
- 38mm wide plates 110 group.
- 44mm wide plates 260 group.
- 50mm wide plates 320 group.

These plates have their fixing centres at 189mm. When ordering door handles or plates to fit these locks, specify "CFH" after the plate combination numbers. example: 41-48 CFH

#### Lock Strikes

refer to Mortise Locks page for details of Standard and Extended Lock Strikes to use with this lock, or ES Mortise Locks page if the Extra Security Strikes are required.

Example of CFH Mortise Lock with Regent Lever Handles on plates

