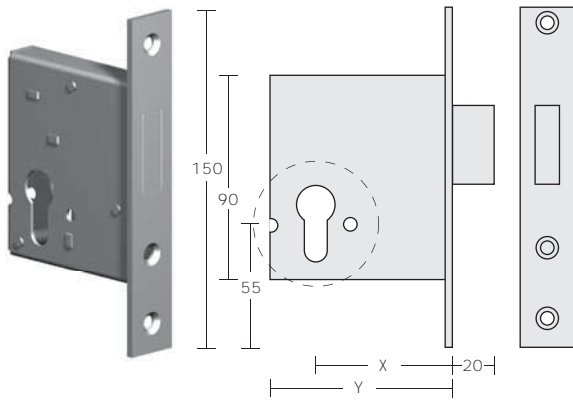


ES Mortise Deadbolts  
1111, 1112, 1113



## ES Mortise Deadbolts (Extra Security)

This series of Mortise Deadbolts Locks have been designed with additional security features;

- Single turn, 20mm Throw Bolt
- Hardened antisaw rollar inserted in the bolt
- Heavy duty sub strike fitted below the standard strike (Extra Security), which is fastened with two 10g x 75mm screws.

### Mortise Deadbolt Dimensions

Model:	Backset: X	Case depth: Y
1111	45	65
1112	60	80
1113	70	90

ES Deadbolt Strike  
1115



### ES Deadbolt Strike for Standard Doors 1115

### Deadbolt Strike for Rebated Doors 1116a/1116b

Lock packer included with these strikes

ES Deadlock Strikes for Rebated Doors  
1116a 1116b



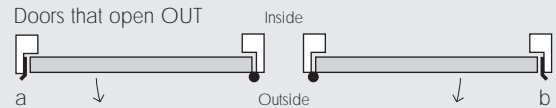
### Finishes available for Locks, Latches and Strikes

Stainless Steel Brushed	SSB
Stainless Steel Polished	SSP
Stainless Steel Satin	SSS
(Bead blasted surface similar to Satin Nickel)	
Copper Plate	COP
Bronze Plate	BP
(This is a brass/bronze plated finish on stainless steel as an approximate match for Weathered Brass and Bronze "Living" Finishes.)	

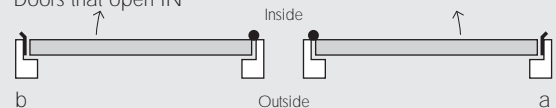
## Handing of Strikes

### Single Doors

Doors that open OUT

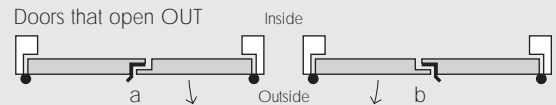


Doors that open IN



### Double Doors

Doors that open OUT



Doors that open IN

