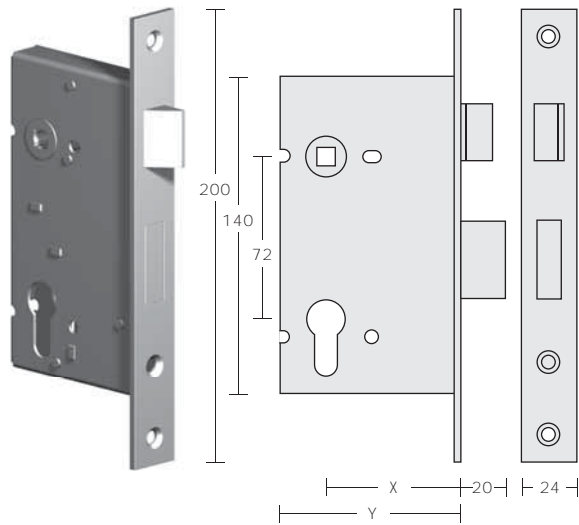


ES Mortise Locks  
1101, 1102, 1103, 1104



## ES Mortise Locks (Extra Security)

This series of mortise locks have been designed with additional security features:

- Single turn, 20mm Throw Bolt
- Hardened antisaw roller inserted in the bolt
- Heavy duty sub strike fitted below the standard strike (Extra Security), which is fastened with two 10g x 75mm screws.

They suit standard, narrow stile and rebated doors in a range of backsets and feature a 'minimal' lever handle rotation of 40°.

The 72mm spindle to cylinder barrel centreline allows for a practical separation of lever handle rose and turn escutcheon without the appearance of crowding the components. It also allows for the same length back plate to be used throughout a project for entrance doors, narrow stile doors, internal doors and doors with a privacy function.

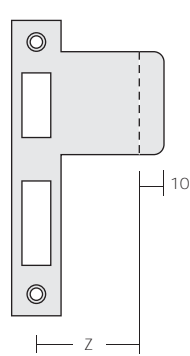
All locks have 8mm spindle hubs and are reversible.

When ordered they are handed to suit the handing requested with the strike.

ES Lock Strike for Standard Doors  
1105a 1105b



Extended Lock Strike  
1106a/b



### Mortise Lock Dimensions

| Model: | Backset:<br>X | Case depth:<br>Y | Horizontal<br>fixing centres: |
|--------|---------------|------------------|-------------------------------|
| 1101   | 45            | 65               | 38 - 41mm                     |
| 1102   | 60            | 80               | 38 - 41mm                     |
| 1103   | 70            | 90               | 38 - 41mm                     |
| 1104   | 90            | 110              | 38 - 41mm                     |

### ES Lock Strikes for Standard Doors 1105a/b

These strikes are handed to avoid compromising the design and installation aesthetics of universal, long lip strikes.

- One piece strike box
- Standard strikes measure 20mm from the lock centreline to the bend of the lip

ES Lock Strikes for Rebated Doors  
1108a



1108b



### ES Extended Lock Strikes 1106a/b

- Extended 50mm from standard. These strikes can be cut back to suit the door frame. Specify the length required from the lock centreline to the edge of the door frame (Z). The bent lip, 10mm wide, is additional to the width specified

### ES Lock Strikes for Rebated Doors 1108a/b

- Lock packer included with these strikes
- Standard strikes measure 20mm from the lock centreline to the bend of the lip

### ES Extended Lock Strikes for Rebated Doors 1109a/b

- Extended 50mm from standard. These strikes can be cut back to suit the door thickness. Specify the length required from the lock centreline to the edge of the door (Z). The bent lip, 10mm wide, is additional to the width specified. Refer to the drawing of the 1106a/b strike above