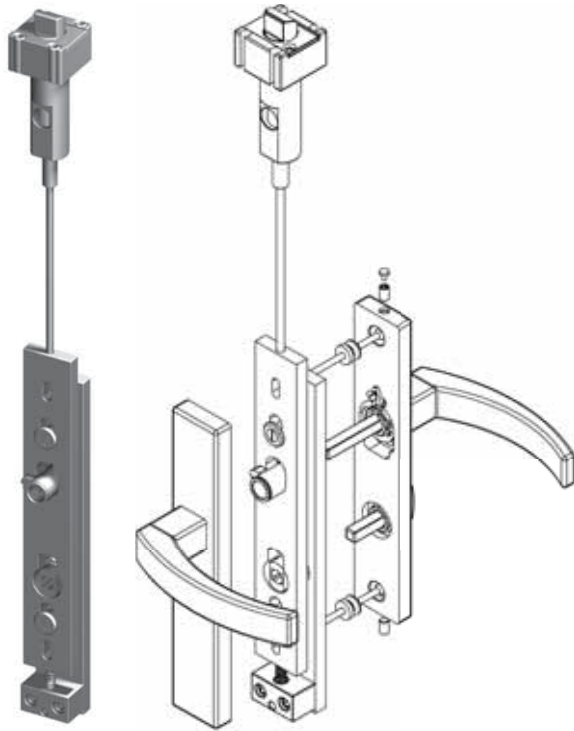
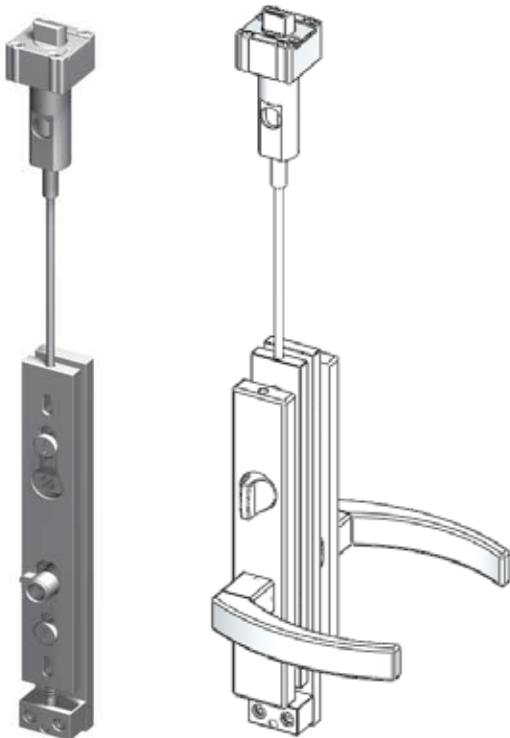


1160 Instile Privacy Latch



1161 Instile Privacy Latch



In Stile, Privacy Latch

This Privacy Latch has been designed to operate using Chant narrow plate door handles on a stand alone, glazed aluminium door or pair of doors, and to complement our door handles throughout a project with other door types.

It is designed to slide into an aluminium door stile and operate a tubular latch at the top of the stile, mounted in a customised mounting block to suit the stile.

It is not intended for full security as the door panel could be forced at the bottom and therefore, twisting the door.

The lock mechanism is fastened into the stile, with screws underneath the door handle plates, which tie screw through the mechanism.

- The lever operates a hub which pulls the central slide bar down
- A threaded rod is connected to the slide bar and the end of the tubular latch which is mounted into the top of the stile.
- Spindle size 8mm

1160 In Stile Privacy Latch

The privacy function can be positioned below the lever spindle, typically with 32 mm wide plates from Groups 30 and 40, and 38mm wide plates from Groups 110 and 130. This has the thumb turn at 72mm centres below the lever handle.

1161 In Stile Privacy Latch

Alternatively, the privacy function can be positioned above the lever handle with 38mm wide plates from Group 190 to suit Accurate Mortise Locks (USA), used elsewhere on the project. The thumb turn is positioned at the same turn centre. Refer to Technical Section for plate details.

The pull latch mechanism is 38mm wide x 34mm in the front to rear direction. Full details of the door and stile must be provided to customise this product.