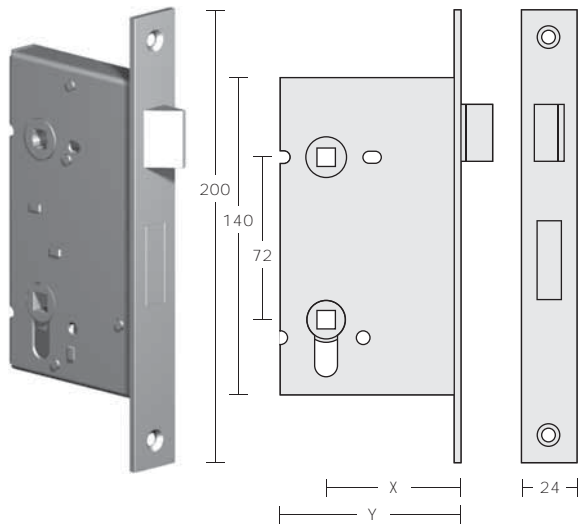


Mortise Privacy Locks
1001P, 1002P, 1003P



Strikes – refer to Mortise Locks on previous page.

Mortise Privacy Locks

This series of mortise locks are a privacy version of our standard locks. They also feature a 'minimal' lever handle rotation of 40°. The lock is supplied with an 8mm spindle drive in the privacy hub.

The 72mm spindle to cylinder barrel centreline allows for a practical separation of lever handle rose and turn escutcheon without the appearance of crowding the components. It also allows for the same length back plate to be used throughout a project for entrance doors, narrow stile doors, internal doors and doors with a privacy function. These locks have a single turn, 15mm throw bolt.

All locks have 8mm spindle hubs and are reversible. When ordered they are handed to suit the handing requested with the strike.

When these locks are to be used with unsprung lever handles, specify 'HD' after the lock code number.

Mortise Privacy Lock Dimensions

Model:	Backset: X	Case depth: Y	Horizontal fixing centres:
1001P	45	65	38 – 41mm
1002P	60	80	38 – 41mm
1003P	70	90	38 – 41mm

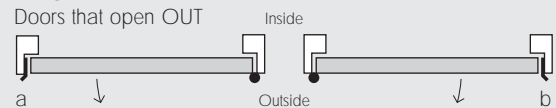
Finishes available for Locks, Latches and Strikes

Stainless Steel Brushed	SSB
Stainless Steel Polished	SSP
Stainless Steel Satin	SSS
(Bead blasted surface similar to Satin Nickel)	
Copper Plate	COP
Bronze Plate	BP
(This is a brass/bronze plated finish on stainless steel as an approximate match for Weathered Brass and Bronze "Living" Finishes.	

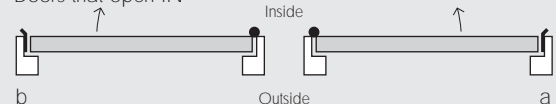
Handing of Strikes

Single Doors

Doors that open OUT

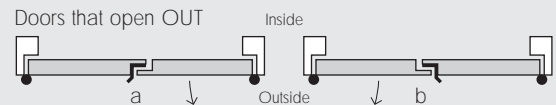


Doors that open IN



Double Doors

Doors that open OUT



Doors that open IN

