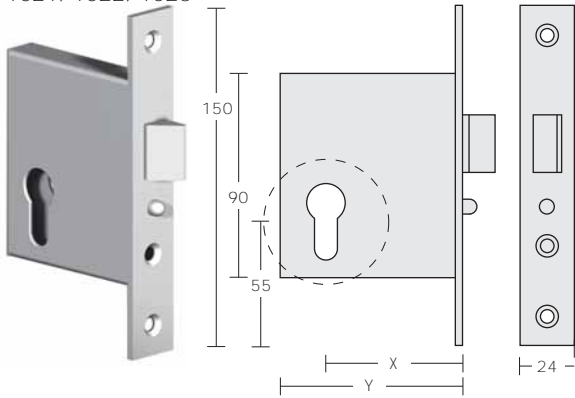


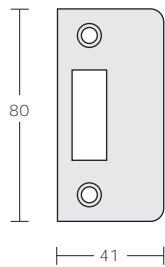
Mortise Night Latch
1021/1022/1023



Latch Strike for
Standard Doors
(universal) 1015



D-Strike for
Standard Doors
(universal) 1015a



Mortise Night Latch works with Latch Strike 1015 (standard doors) and Strike Packer 1017a/b above

Night Latch Strikes for Rebated Doors
1028a 1028b



Finishes available for Locks, Latches and Strikes

Stainless Steel Brushed	SSB
Stainless Steel Polished	SSP
Stainless Steel Satin	SSS
(Bead blasted surface similar to Satin Nickel)	
Copper Plate	COP
Bronze Plate	BP
(This is a brass/bronze plated finish on stainless steel as an approximate match for Weathered Brass and Bronze "Living" Finishes.)	

Mortise Night Latches

Night Latches have both deadlock and hold-back functions.

Mortise Night Latch Dimensions:

Model:	Backset:	Case depth:
	X	Y
1021	45	65
1022	60	80
1023	70	90

Latch Strike for Standard Doors Use Strike 1015 above

Extended Latch Strikes

Use Extended Latch Strike 1016a/b above

Strike Packer Use Strike Packer 1017a/b above

Night Latch Strikes for Rebated Doors 1028a/b

- Standard strikes measure 20mm from the lock centreline to the bend of the lip. Lock packer included

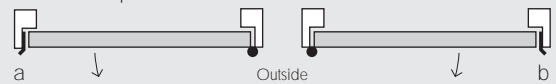
Extended Latch Strikes for Rebated Doors 1029a/b

- Extended 50mm from standard. These strikes can be cut back to suit the door thickness. Specify the length required from the lock centreline to the edge of the door. The bent lip, 10mm wide, is additional to the width specified

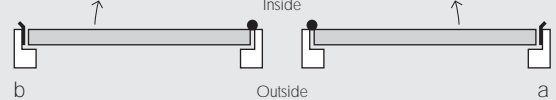
Handing of Strikes

Single Doors

Doors that open OUT

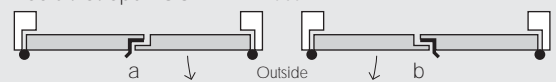


Doors that open IN



Double Doors

Doors that open OUT



Doors that open IN

