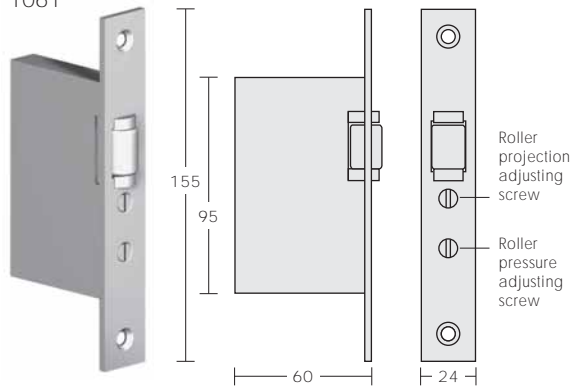


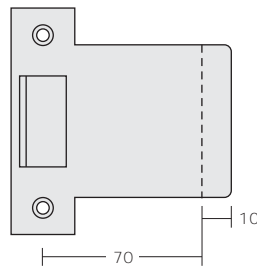
Mortise Roller Latch  
1061



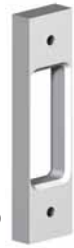
Roller Latch Strike  
for Standard Doors  
1065



Extended Roller  
Latch Strike  
1066



Roller Strike  
Packer  
1067a/b



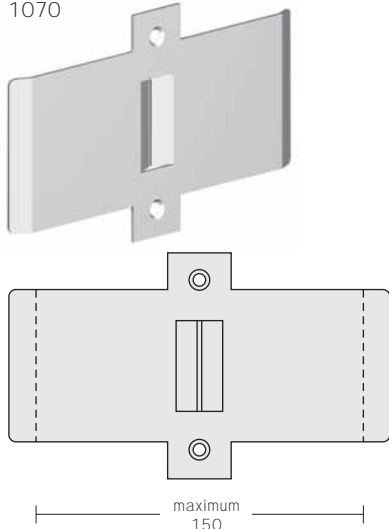
Roller Latch Strike  
for Rebated Doors  
1068a



1068b



Roller Latch Strike for Swing-through Doors  
1070



## Mortise Roller Latches

### Mortise Roller Latch 1061

The Mortise Roller Latch is designed for standard, narrow stile, rebated and swing-through doors. It can be installed on the stile or on the head of the door. This Roller Latch is particularly suitable for swing-through doors to locate the door in the closed position, to receive an electric locking bolt.

### Roller Latch Strike for Standard Doors 1065

- Universal
- Ramp for the roller to roll up when the door is closing
- Downward ramp for the roller to extend into, securing the door against its backstop
- Integral strike box behind the roller ramp
- Standard strike measures 20mm from the lock centreline to the bend of the lip

### Extended Roller Latch Strike 1066

- Extended 50mm from standard. These strikes can be cut back to suit the door frame. Specify the length required from the lock centreline to the edge of the door frame. The bent lip, 10mm wide, is additional to the width specified

### Roller Strike Packer

#### 1067a – 10mm/1067b – 8.5mm

For aluminium door frames

- Aluminium 10mm or 8.5mm thick x 24mm wide
- Natural anodised finish

### Roller Latch Strike for Rebated Doors 1068a/b

- Ramp for roller to roll up when the door is closing
- Downward ramp for the roller to extend into, securing the door against its backstop
- Integral strike box behind the roller ramp
- Standard strikes measure 20mm from the lock centreline to the bend of the lip.

### Extended Roller Latch Strikes for Rebated Doors 1069a/b

- Extended 50mm from standard. These strikes can be cut back to suit the door thickness. Specify the length required from the lock centreline to the edge of the door. The bent lip, 10mm wide, is additional to the width specified.

### Roller Latch Strike for Swing-through Doors (double lip style) 1070

- Ramp for roller to roll up when the door is closing
- V-recess in the centre to locate the door
- Specify jamb width required when ordering, ie. 1070 – 120mm
- 10mm wide lips are additional to the jamb width, unless otherwise specified