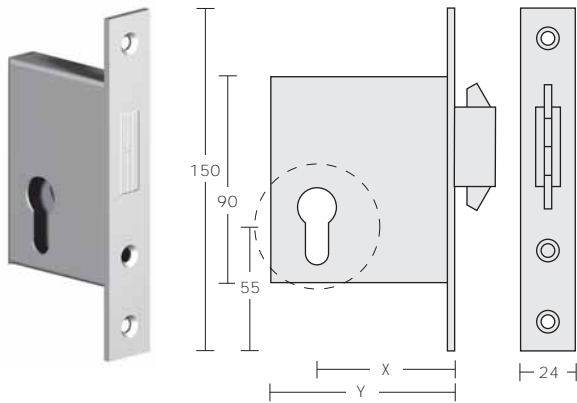


Mortise Sliding Door Lock
1040, 1041, 1042



Mortise Sliding Door Locks

Mortise Sliding Door Lock Dimensions

Model:	Backset: X	Case depth: Y
1040	35	50
1041	45	65
1042	60	80

Sliding Door Lock Strike 1045

Mortise Sliding Door Locks with Turn Hubs

Typically used with Chant Turn Escutcheons where a turn function is required on the inside only, and in conjunction with offset or straight pull handles.

Mortise Sliding Door Lock with Turn Hub Dimensions

Model:	Backset: X	Case depth: Y
1040T	35	50
1041T	45	65
1042T	60	80

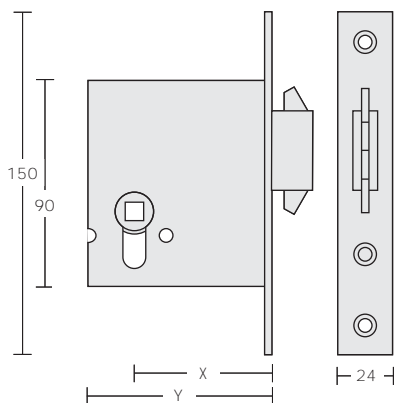
Sliding Door Strike
1045



Adjustable
Strike 1899



Mortise Sliding Door Lock with Turn Hub
1040T, 1041T, 1042T



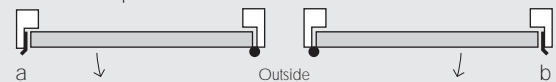
Finishes available for Locks, Latches and Strikes

Stainless Steel Brushed	SSB
Stainless Steel Polished	SSP
Stainless Steel Satin	SSS
(Bead blasted surface similar to Satin Nickel)	
Copper Plate	COP
Bronze Plate	BP
(This is a brass/bronze plated finish on stainless steel as an approximate match for Weathered Brass and Bronze "Living" Finishes.)	

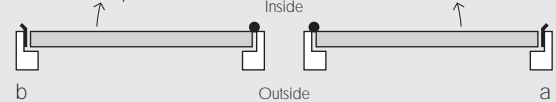
Handing of Strikes

Single Doors

Doors that open OUT

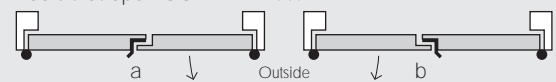


Doors that open IN



Double Doors

Doors that open OUT



Doors that open IN

